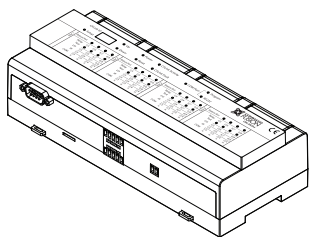


Quick Reference



DIN-MOD4 DIN-Rail Modular Controller



www.commandfusion.com

Designed Globally
<http://cfdev.info>

©2013 CommandFusion Pty Ltd

Specifications are subject to change without notice.

Printed on Recycled Paper.



Overview

The CommandFusion DIN-MOD4 is a modular controller, capable of housing 4 modules, in any combination.

You could for instance load it up with 4 IR modules, giving a total of 32 IR ports. Or perhaps 4 COM4 modules, giving a maximum of 17 RS232 ports (including the on-board RS232 port).

Power

The device can be powered via 9-30V DC (24V DC recommended). Power can be supplied via the CFLink bus or locally using the V+ and V- pins of the CFLink connector.

Configuration

To configure CommandFusion hardware on your local network, you need to install System Commander software on your computer. Download it for free from <http://downloads.commandfusion.com>

After installed, launch System Commander and choose 'Network > Go Online' from the main menu.

Your hardware should be automatically detected. You can then select the device from the list and configure it.

Module Slots

The 4 module slots can be used for any combination of modules.

Use a flat head screw driver (preferably plastic to avoid marking, but metal is fine too) to lever the modules out far enough to pull out the remaining amount with your fingers.

When inserting a module, make sure to insert it straight and all the way in until the latch clicks into position.

After inserting a module, you will need to reset the DIN-MOD4 before that module is detected.

Pinhole Buttons

Setup

1. Press to begin editing the first digit of the CFLink ID.
2. Press again to change to editing the second digit of the CFLink ID.
3. Press a third time to end editing the CFLink ID.

Up

When either the first or second digit of the CFLink ID is flashing, press Up to increase the digit.

Down

When either the first or second digit of the CFLink ID is flashing, press Down to decrease the digit.

Reset

Press to reset the unit.

COM Port

Press to toggle on-board COM Port between Program Mode and RS232 Mode.

Factory Reset

To erase all settings and return the unit to factory default settings do the following:

1. Press and hold both the SETUP and RESET buttons simultaneously for 1 second.
2. Release the RESET button, but continue holding the SETUP button until the power LED begins to flash quickly.
3. Release the SETUP button and the device will reboot with factory settings.

Ports

CFLink

A 5-wire, peer-to-peer bus used to link multiple CommandFusion hardware devices together. Any 5-core or greater cable can be used, including CAT5/6.

RS232

1 x RS232 port. Can be used to program the CF Mini via CFLink protocol or control an external RS232 device.

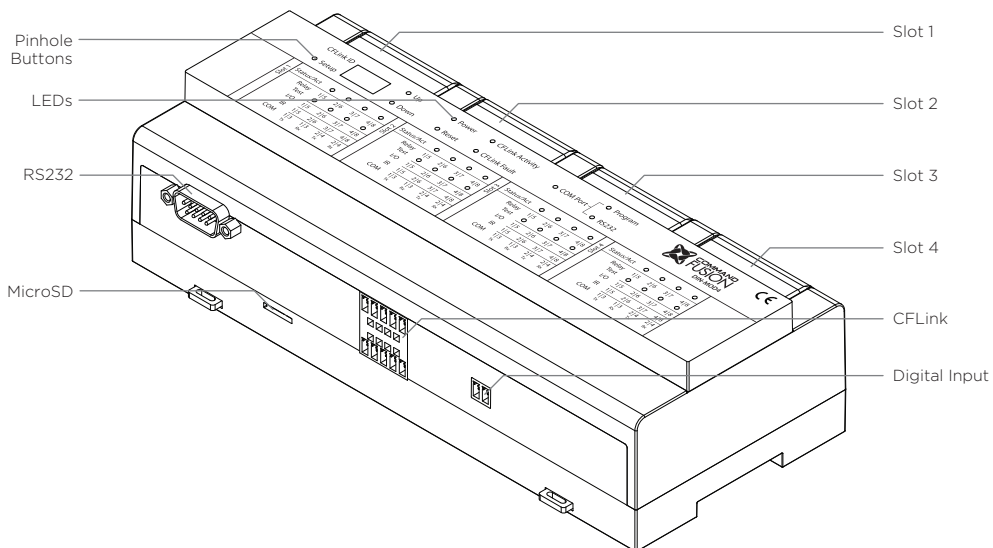
Digital Input

Dry contact digital input can be used to trigger rules in the CFLink network.

MicroSD Card Slot

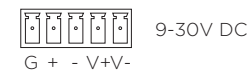
The device contains on-board memory, which can be extended by using a Micro SD memory card. **Do not insert a memory card unless you have reached the limit of on-board memory storage.**

DIN-MOD4 Features



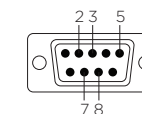
Pinout Diagrams

CFLink



RS232 (Male)

- | | | |
|---|-----|-----------------|
| 1 | NC | No Connection |
| 2 | RX | Receive Data |
| 3 | TX | Transmit Data |
| 4 | NC | No Connection |
| 5 | GND | Ground |
| 6 | NC | No Connection |
| 7 | RTS | Request To Send |
| 8 | CTS | Clear To Send |
| 9 | NC | No Connection |



On-Board Digital Input



Further Information

For further information on getting started see:

<http://qs.commandfusion.com>